

# *2004 – 2005 Heatsink Catalogue*

---

Employing unique casting, machining and finishing processes to offer a range of heatsinks with the following features:

- \* *Excellent thermal performance*
  - \* *Quality, durable finish*
  - \* *Machined surfaces for optimal heat transfer (uncoated)*
  - \* *Textured black coating*
  - \* *Generous sections for improved heat transfer*
  - \* *Premium grade aluminium alloy for maximum heat conduction, strength, ductility and machinability*
  - \* *Unique flanged design for convenient mounting of devices*
  - \* *Flexibility to manufacture to customer requirements including drilling and tapping, cutting, machining, etc.*
-

## *Directory*

### *Flat Backed Heatsinks*

*Page*

8 RT Series

4

RF 10 Series

5

RF 12 Series

6

RF 15 Series

7

RF 20 Series

8

RF 25 Series

9

RF 30 Series

10

RF 35 Series

11

RF 18 Series

12

### *Flanged Series Heatsinks*

RF 15-1F-75

13

RF 15-2F-151.5

14

RF 20-1F-75

15

RF 20-2F-151.5

16

RF 30-1F-75

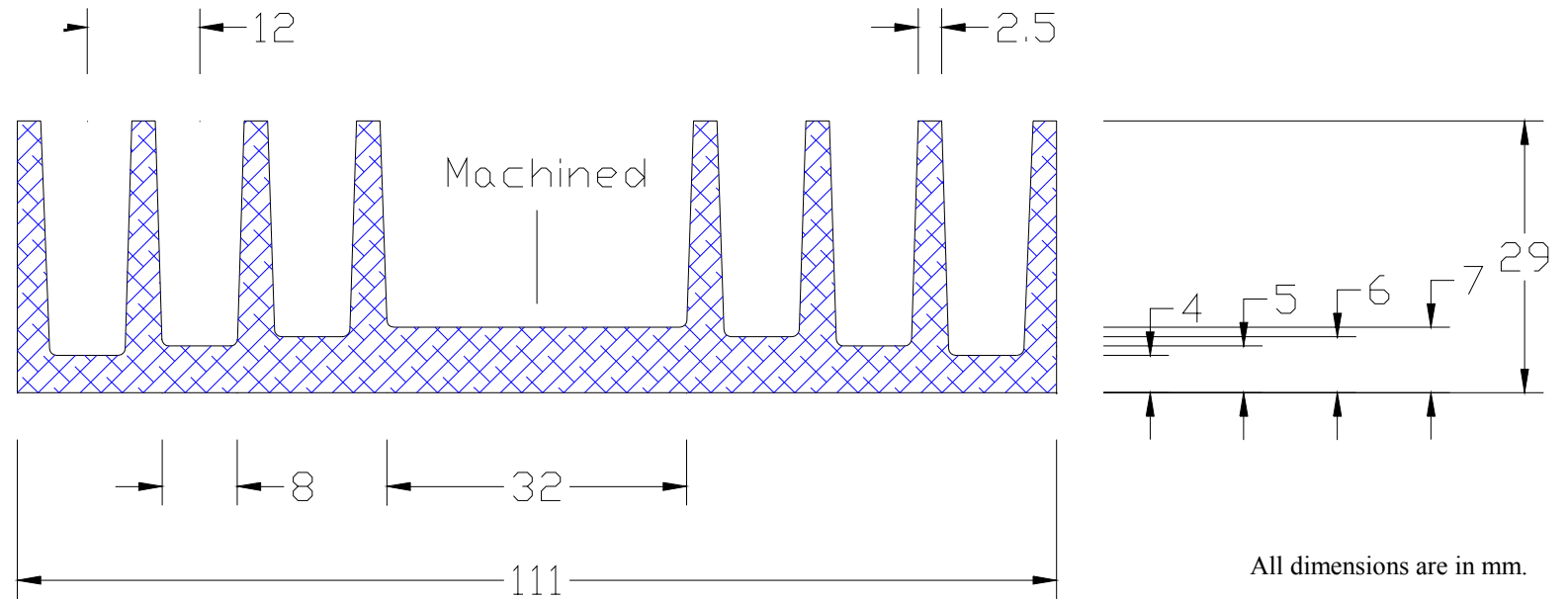
17

RF 30-2F-151.5

18

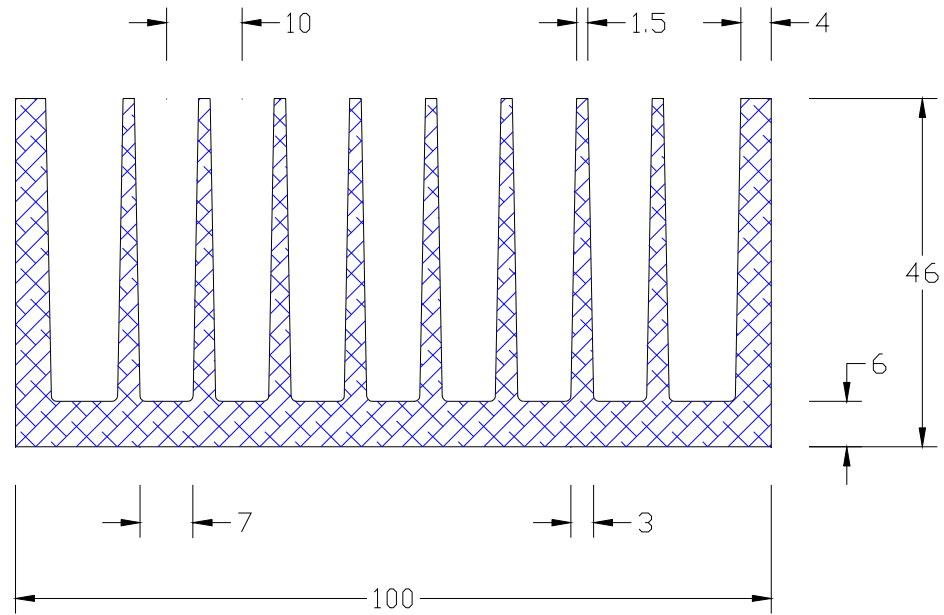
# 8RT Series

4



Product Code	Standard Lengths in mm	Thermal Resistance C/Watt for 80 C rise	Weight in kg.
8RT-50	50.0	2.32	0.16
8RT-75	75.0	1.78	0.25
8RT-100	100.0	1.40	0.33
8RT-151.5	151.5	1.00	0.50

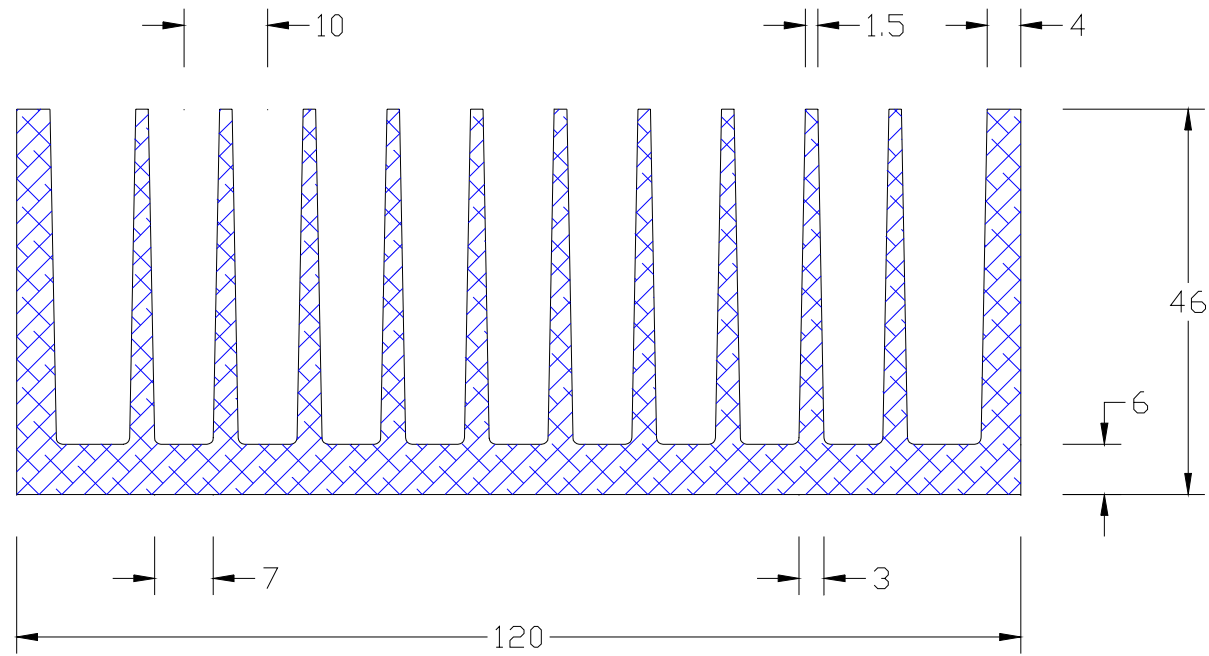
# RF10 Series



All dimensions are in mm.

Product Code	Standard Lengths in mm	Thermal Resistance C/Watt for 80 C rise	Weight in kg.
RF10-50	50.0	1.28	0.22
RF10-75	75.0	1.04	0.33
RF10-100	100.0	0.83	0.44
RF10-151.5	151.5	0.61	0.67

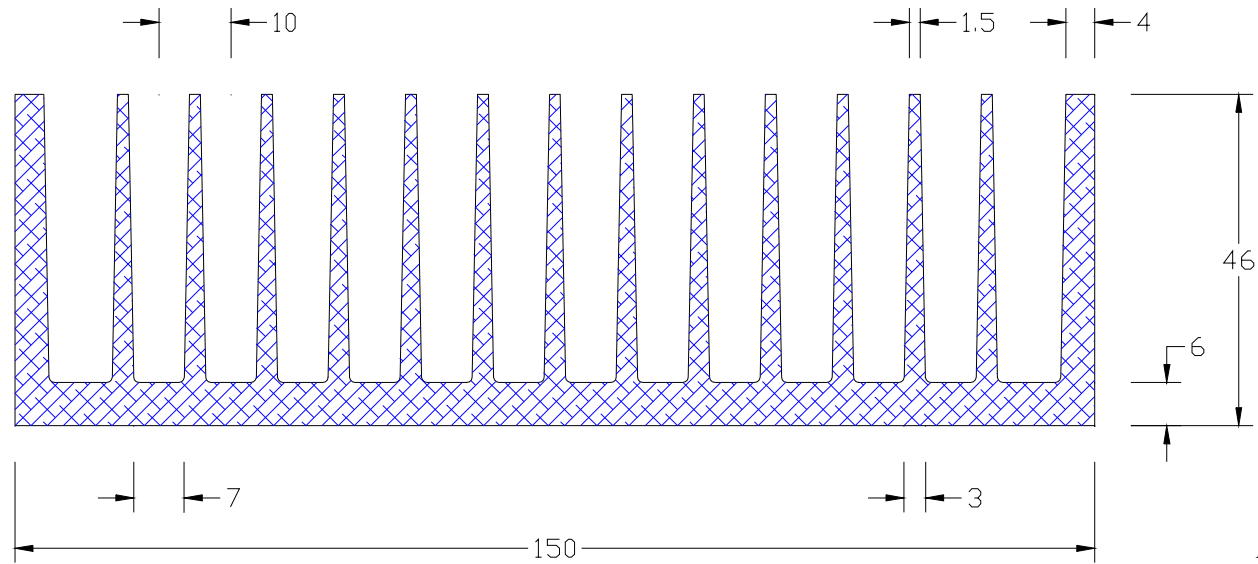
# RF12 Series



All dimensions are in mm.

Product Code	Standard Lengths in mm	Thermal Resistance C/Watt for 80 C rise	Weight in kg.
RF12-50	50.0	1.12	0.26
RF12-75	75.0	0.92	0.39
RF12-100	100.0	0.78	0.52
RF12-151.5	151.5	0.57	0.79

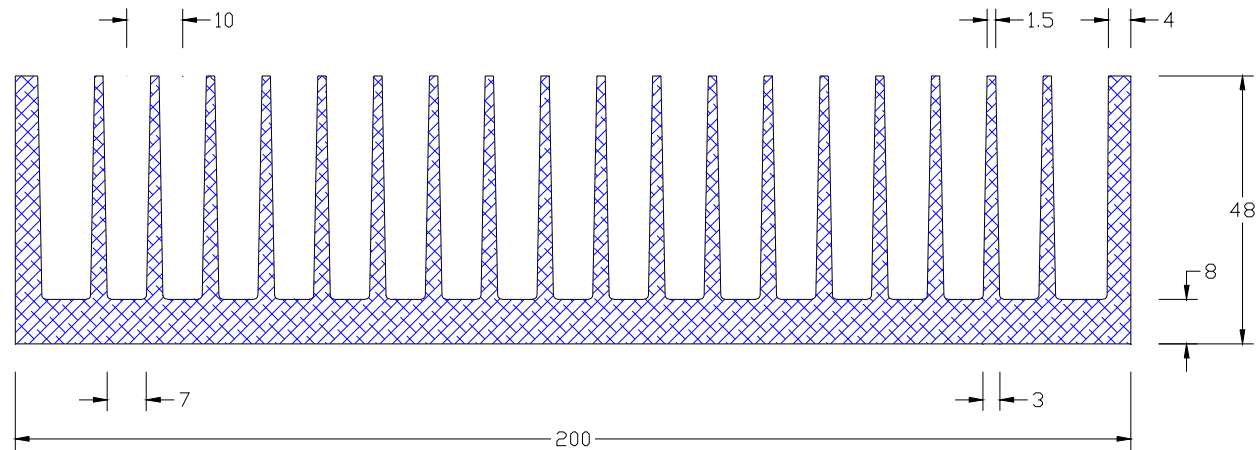
# RF15 Series



All dimensions are in mm.

Product Code	Standard Lengths in mm	Thermal Resistance C/Watt for 80 C rise	Weight in kg.
RF15-50	50.0	0.89	0.32
RF15-75	75.0	0.72	0.48
RF15-100	100.0	0.61	0.64
RF15-151.5	151.5	0.50	0.97

# RF20 Series

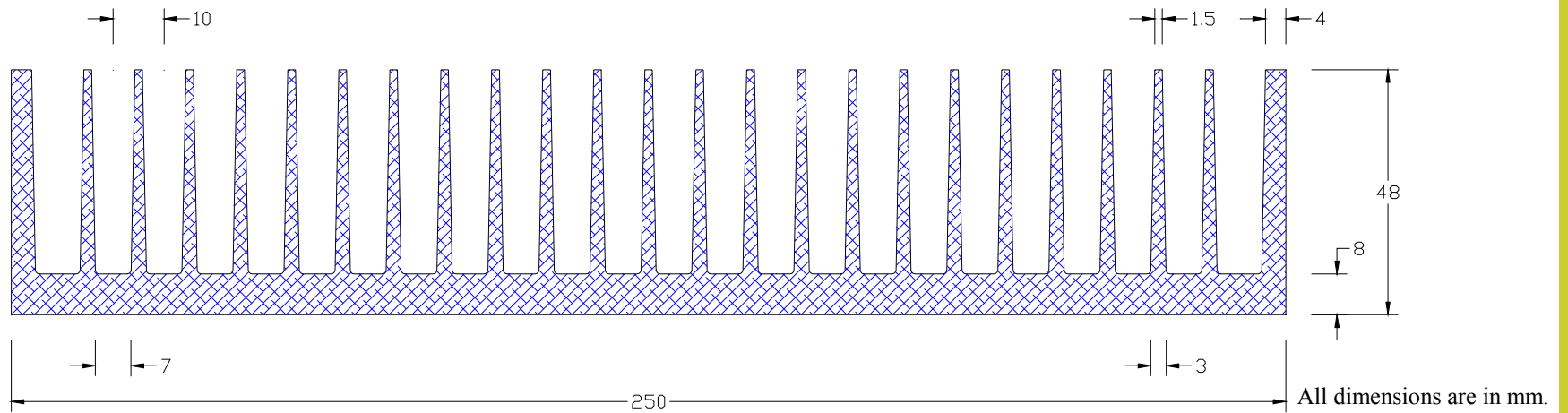


All dimensions are in mm.

Product Code	Standard Lengths in mm	Thermal Resistance C/Watt for 80 C rise	Weight in kg.
RF20-50	50.0	0.72	0.47
RF20-75	75.0	0.55	0.71
RF20-100	100.0	0.47	0.95
RF20-151.5	151.5	0.36	1.44



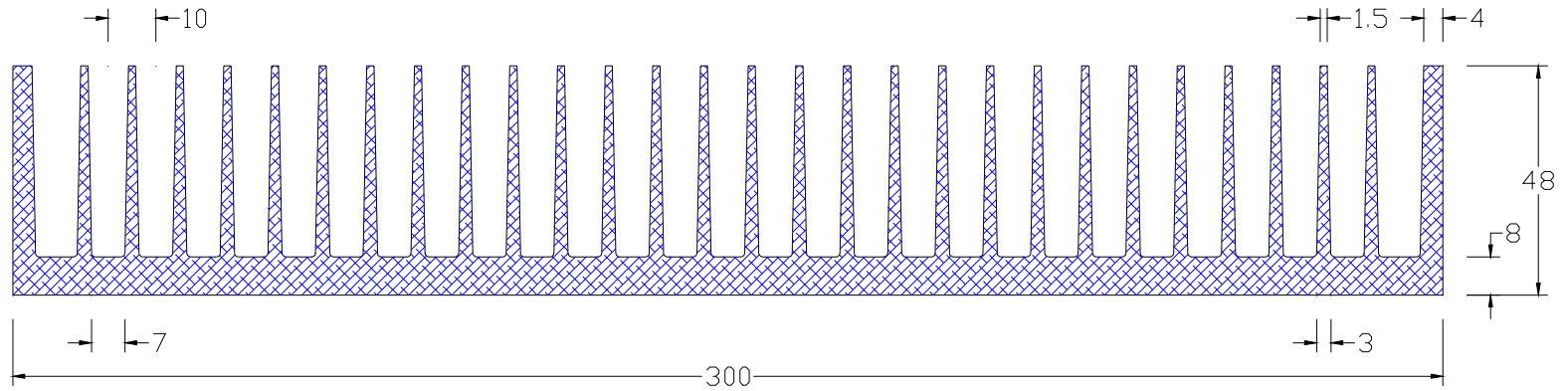
# RF25 Series



Product Code	Standard Lengths in mm	Thermal Resistance C/Watt for 80 C rise	Weight in kg.
RF25-50	50.0	.060	0.59
RF25-75	75.0	0.45	0.88
RF25-100	100.0	0.37	1.17
RF25-151.5	151.5	0.29	1.78

# RF30 Series

10

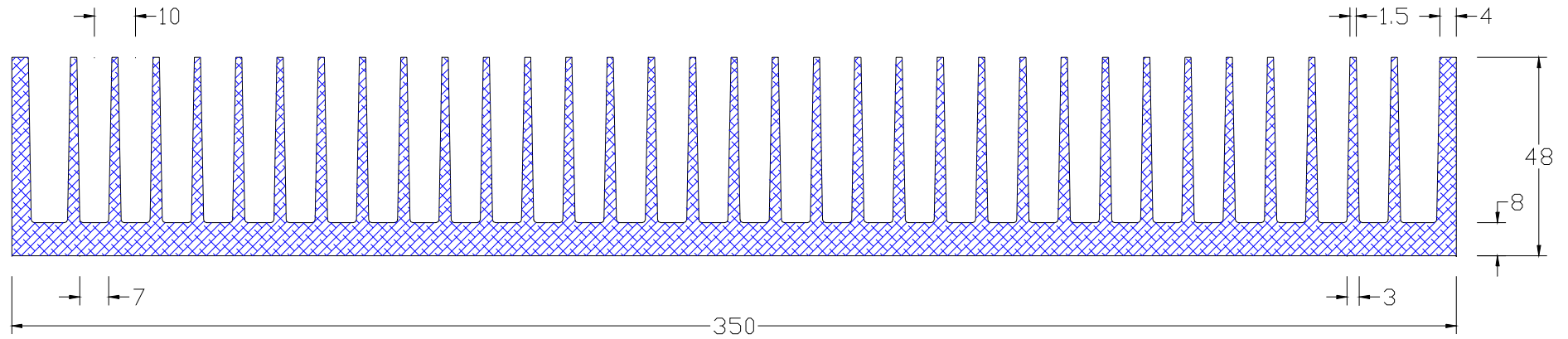


All dimensions are in mm.

Product Code	Standard Lengths in mm	Thermal Resistance C/Watt for 80 C rise	Weight in kg.
RF30-50	50.0	.049	0.70
RF30-75	75.0	0.37	1.05
RF30-100	100.0	0.32	1.40
RF30-151.5	151.5	0.25	2.12

# RF35 Series

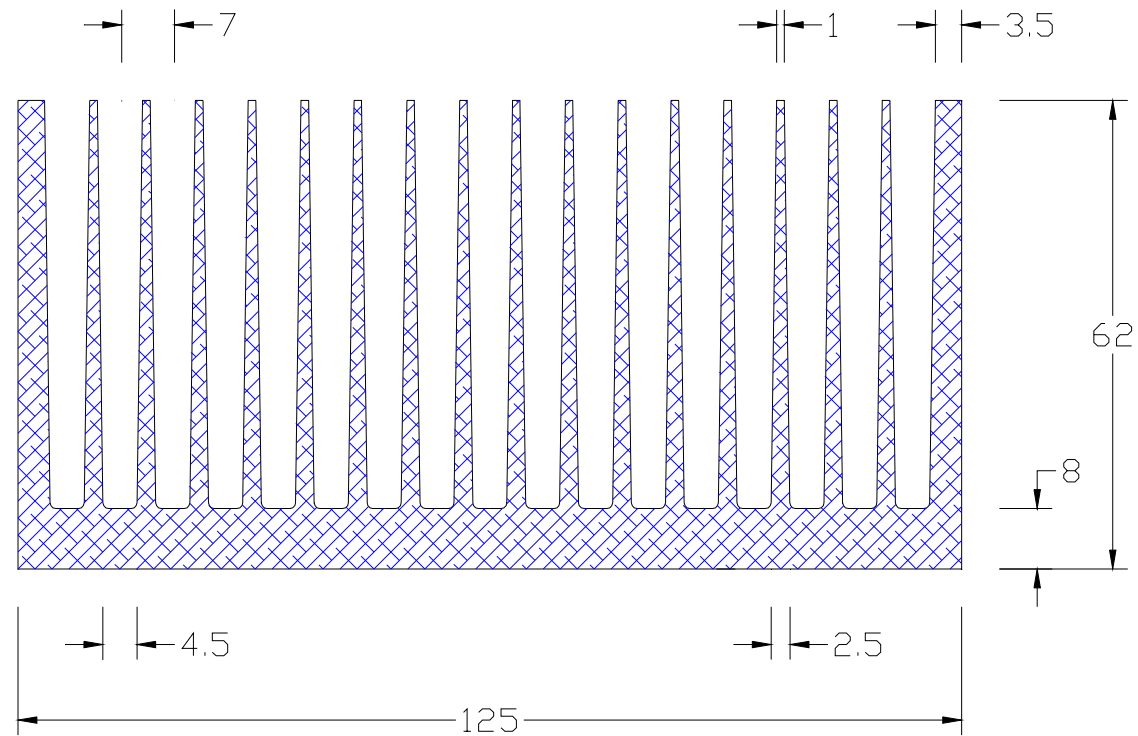
11



All dimensions are in mm.

Product Code	Standard Lengths in mm	Thermal Resistance C/Watt for 80 C rise.	Weight in kg.
RF35-50	50.0	0.43	0.81
RF35-75	75.0	0.32	1.22
RF35-100	100.0	0.28	1.62
RF35-151.5	151.5	0.21	2.46

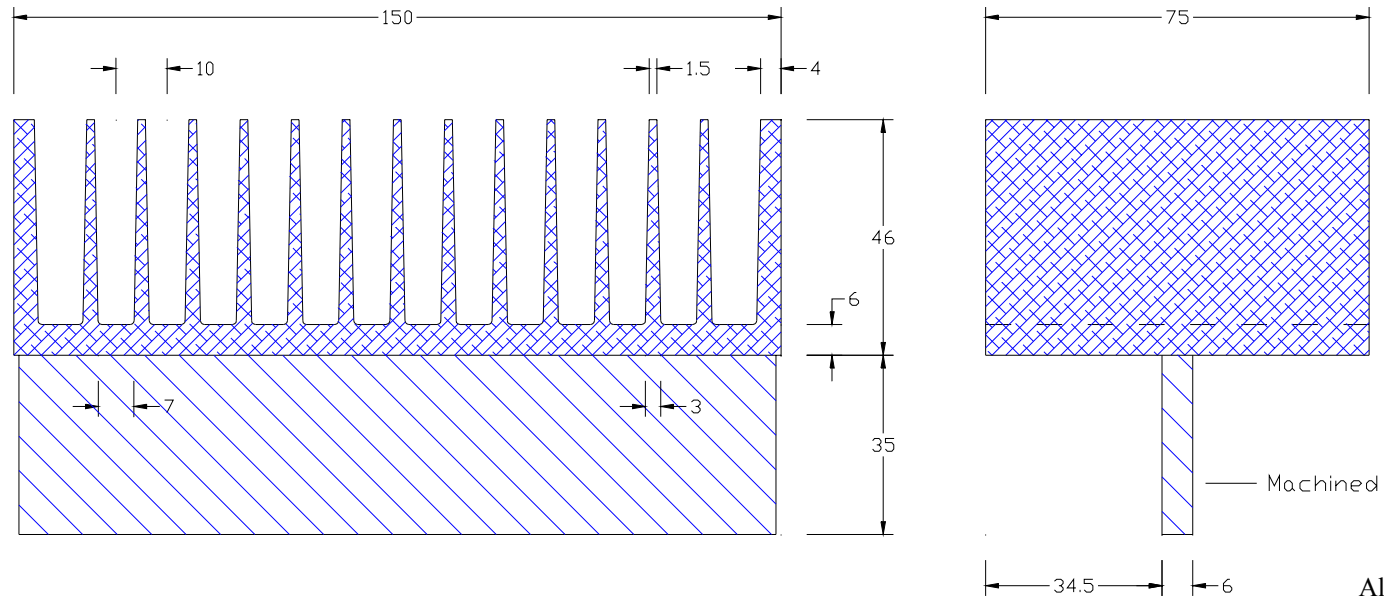
# RF18 Series



All dimensions are in mm.

Product Code	Standard Lengths in mm	Thermal Resistance Natural Convection C/Watt for 80 C rise	Thermal Resistance Forced Convection 6.4 l/s (13.5 cfm) C/W	Thermal Resistance Forced Convection 12.7 l/s (27 cfm) C/W	Weight in kg.
RF18-50	50.0	0.84	0.24	0.19	0.41
RF18-75	75.0	0.67	0.20	0.17	0.61
RF18-100	100.0	0.59	0.18	0.15	0.82
RF18-151.5	151.5	0.46	0.13	0.11	1.24

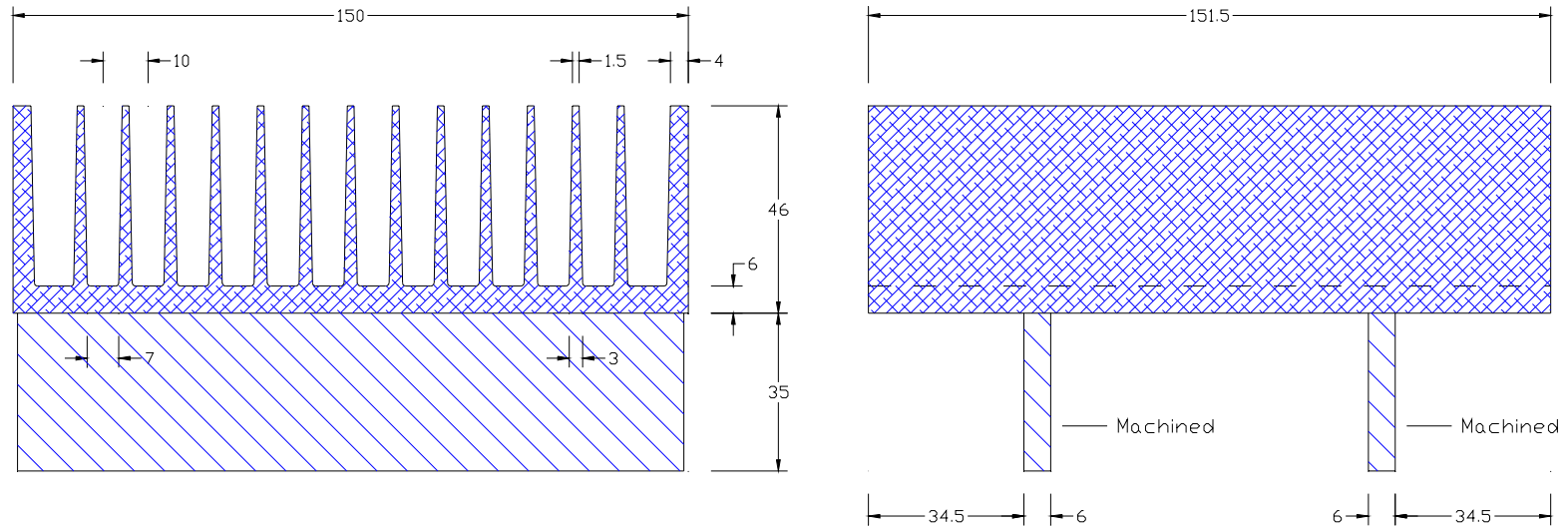
# RF15-1F-75



All dimensions are in mm.

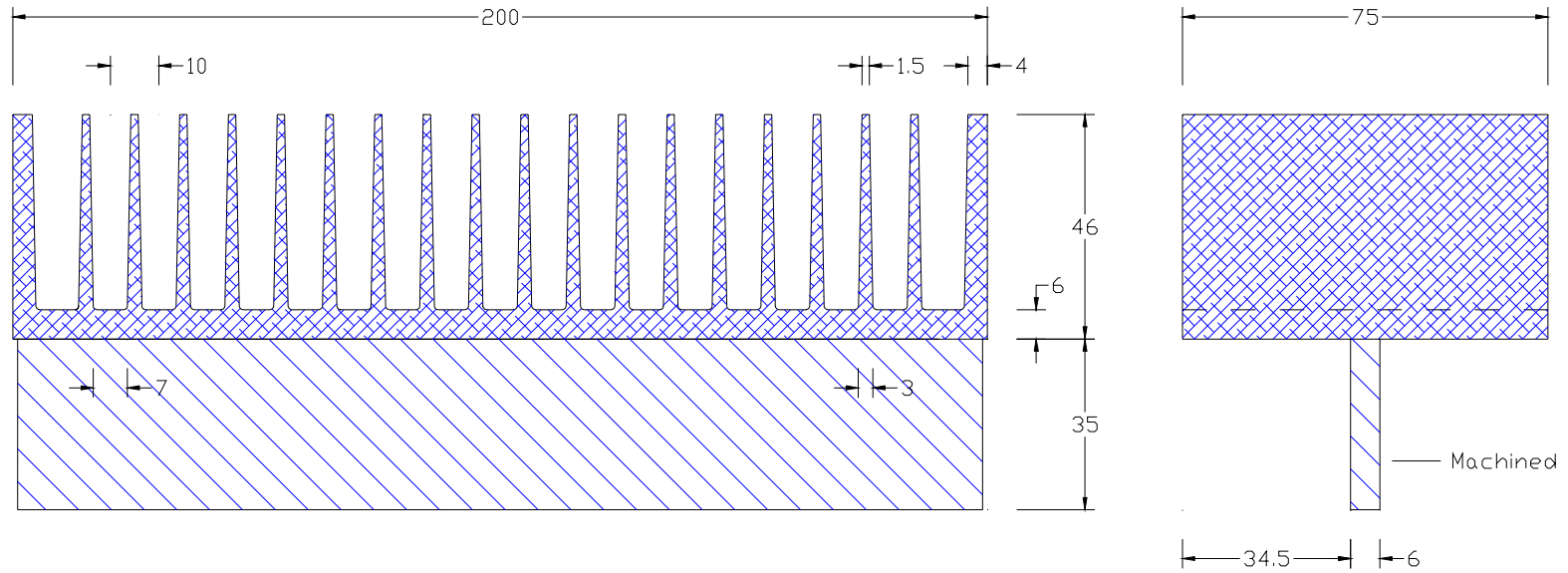
Product Code	Standard Lengths in mm	Thermal Resistance C/Watt for 80 C rise	Weight in kg.
RF15-1F-75	75.0	0.78	0.57

# RF15-2F-151.5



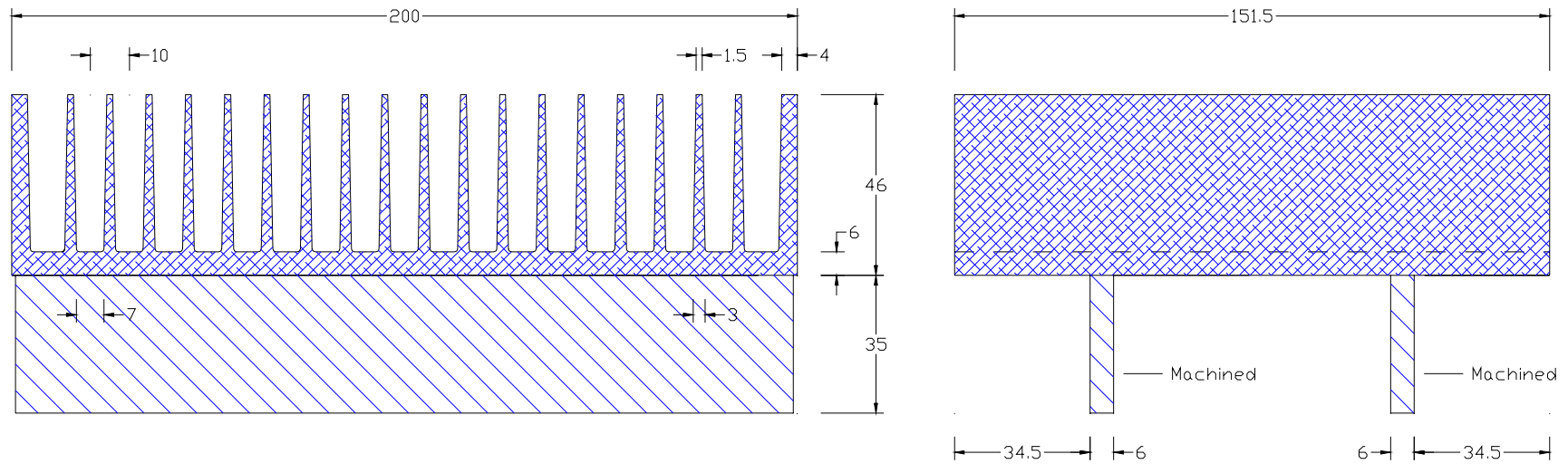
All dimensions are in mm.

Product Code	Standard Lengths in mm	Thermal Resistance C/Watt for 80 C rise	Weight in kg.
RF15-2F-151.5	151.5	0.48	1.15



All dimensions are in mm.

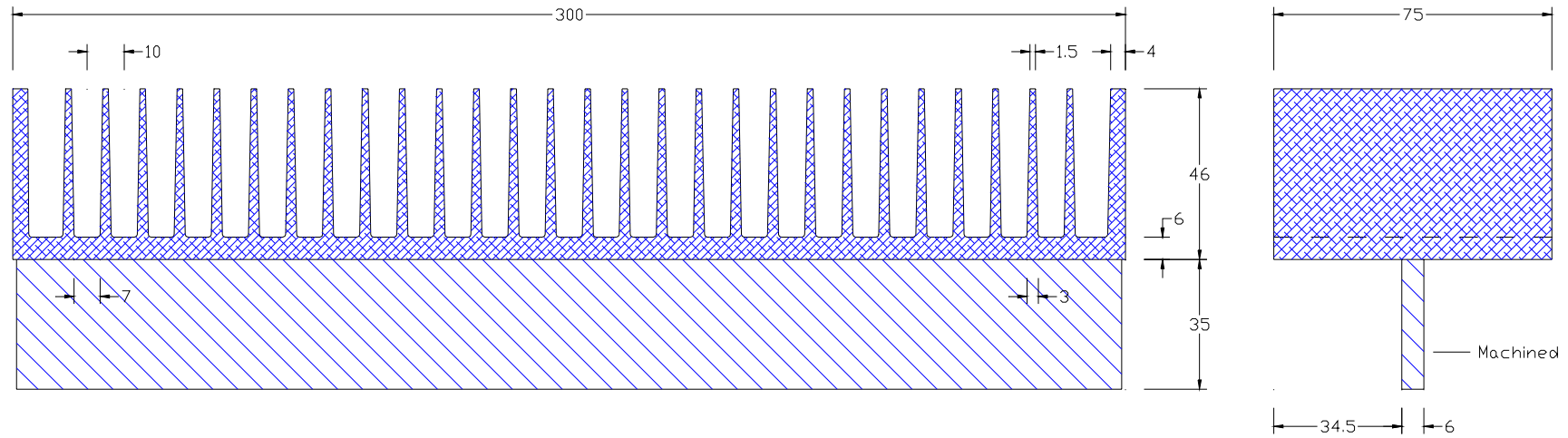
Product Code	Standard Lengths in mm	Thermal Resistance C/Watt for 80 C rise	Weight in kg.
RF20-1F-75	75.0	0.60	0.75



All dimensions are in mm.

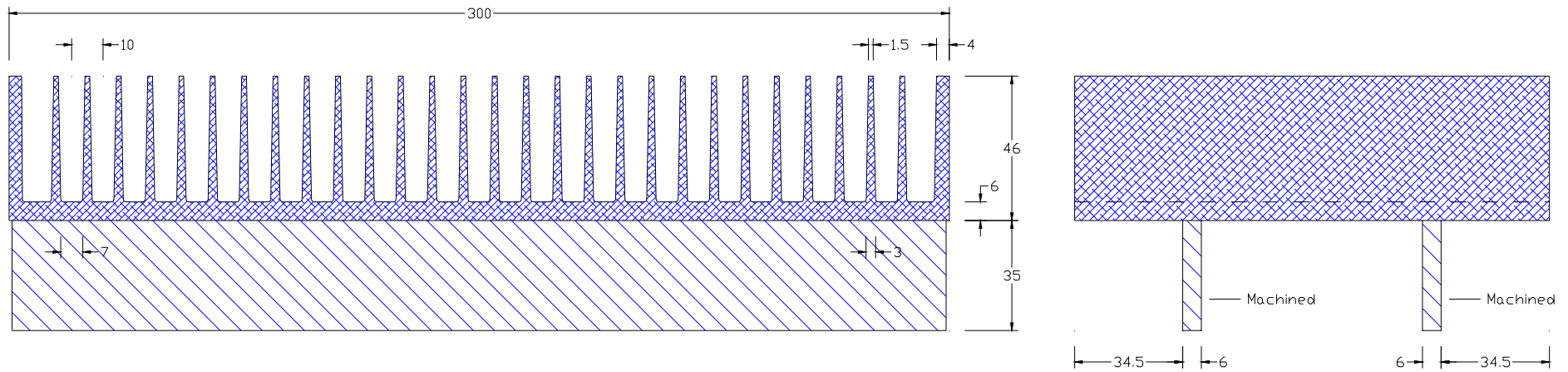
Product Code	Standard Lengths in mm	Thermal Resistance C/Watt for 80 C rise	Weight in kg.
RF20-2F-151.5	151.5	.038	1.51





All dimensions are in mm.

Product Code	Standard Lengths in mm	Thermal Resistance C/Watt for 80 C rise	Weight in kg.
RF30-1F-75	75.0	0.37	1.14



All dimensions are in mm.

Product Code	Standard Lengths in mm	Thermal Resistance C/Watt for 80 C rise	Weight in kg.
RF30-2F-151.5	151.5	0.25	2.29